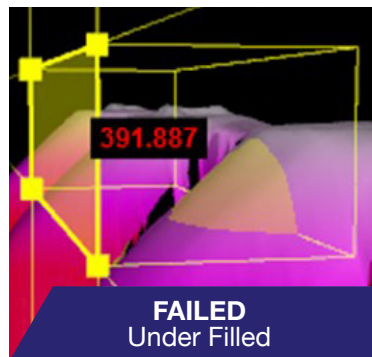
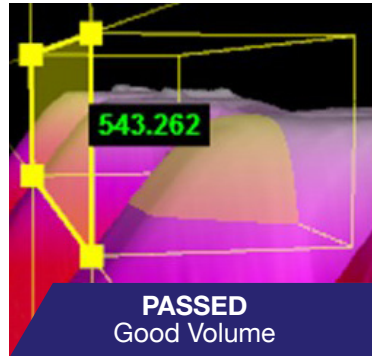


PHOTON INSPECTOR 3D

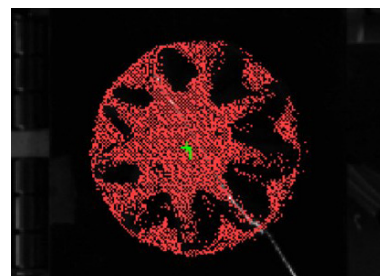
3D Non-contact Inline Inspection:

This system uses advanced technology to measure and ensure your manufactured parts are made within tolerances. In-line with your manufacturing process, this system quickly measures complex angles and material volume so you can quickly identify and address issues before hundreds of bad parts are made. The system can be customized to convey your parts to an area where the robot recognizes and automatically scans your parts with a 3D camera. This system is capable of measuring parts down to 6 micrometers. Confirm your production quality is maintained on every part. Perfected for cast, forged and plastic molded parts.



DESIGN ADVANTAGES:

- 100% Inline Part Validation
- Automatic Scanner Position Alignment
- Volumetric Measurements - Down to 6 microns
- Pass / Fail Results within seconds
- Robot movement allows for both large and small part scanning
- Flexible Platform is customized to meet your needs
- Several High Resolution 3D Cameras matched to your specification



1175 E North Territorial Rd.
Whitmore Lake, MI 48189
Sales@RoboticGuidance.com
(734) 834-2176

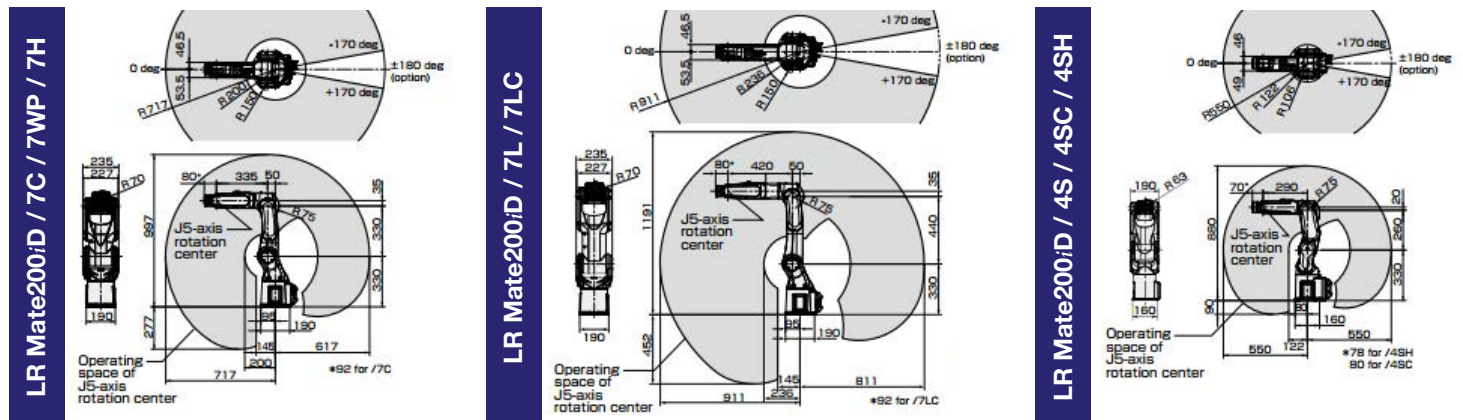
3D AUTOMATED INDUSTRIAL PART INSPECTION SYSTEM:

This system can be customized to match your product variation and inspection needs. The Photon Inspector 3D leverages a FANUC LR Mate 200iD robot, 3D Area Sensor, LMI 3D camera, and custom software created by Robotic Guidance. It is designed to allow it to quickly add in and change part styles.

2300 Series	2320	2330	2340	2350	2370	2380
Data Points/Profile	1280	1280	1280	1280	1280	1280
Linearity Z (+/- % of MR)	0.01	0.01	0.01	0.01	0.04	0.04
Resolution Z (mm)	0.0018 - 0.0030	0.0018 - 0.0030	0.0018 - 0.0030	0.0018 - 0.0030	0.0018 - 0.0030	0.0018 - 0.0030
Resolution X (mm)	0.014 - 0.021	0.044 - 0.075	0.095 - 0.170	0.150 - 0.300	0.275 - 0.550	0.375 - 1.100
Clearance Distance (CD)(mm)	40	90	190	300	400	350
Measurement Range (MR)(mm)	25	80	210	400	500	800
Field of View (FOV)(mm)	18 - 26	47 - 85	96 - 194	158 - 365	308 - 687	390 - 1260
Recommended Laser Class	2M	2M	3R	3R	3B	3B
Other Laser Classes	3R	3R, 3B	3B	3B		
Dimensions	Side Mount 35x120x149.5	Top Mount 49x75x142	Top Mount 49x75x197	Top Mount 49x75x272	Top Mount 49x75x272	Top Mount 49x75x272
Weight (kg)	0.8	0.74	0.94	1.3	1.3	1.3

2300 Series	
Scan Rate	Approximately 170 Hz to 5000 Hx
Interface	Gigabit Ethernet
Housing	Gasketed aluminum enclosure
Operating Temperature	0 to 50°C
Storage Temperature	-30 to 70°C
Vibration Resistance	10 to 55 Hz, 1.5 mm double amplitude in X, Y, and Z directions, 2 hours per direction
Shock Resistance	15 g, half sine wave, 11 ms, positive and negative for X, Y, and Z directions

OPERATING SPACE



1175 E North Territorial Rd.
Whitmore Lake, MI 48189
Sales@RoboticGuidance.com
(734) 834-2176